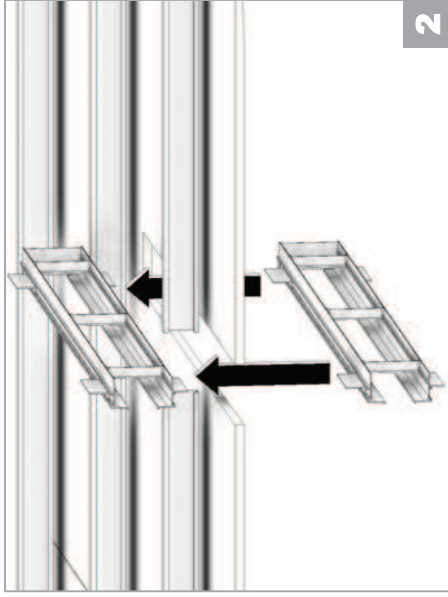
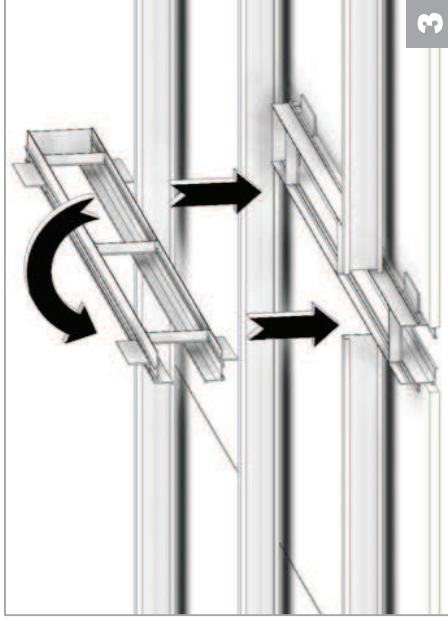


LOOK-SM (L)
**1**

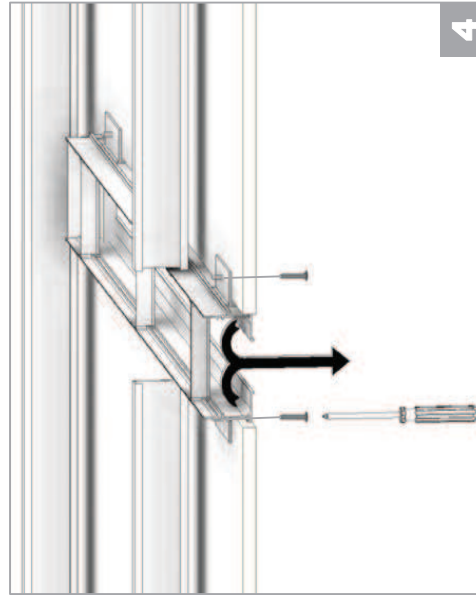
- 1** Cut false ceiling * (plasterboard plus structure) with the nominal sizes (C + 3) x (L + 3) mm
 (*) Reinforce the structure if necessary.

**2**

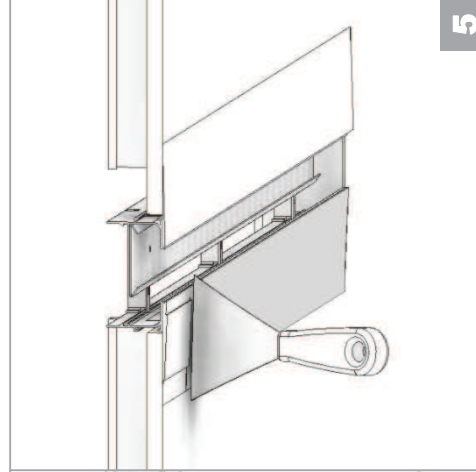
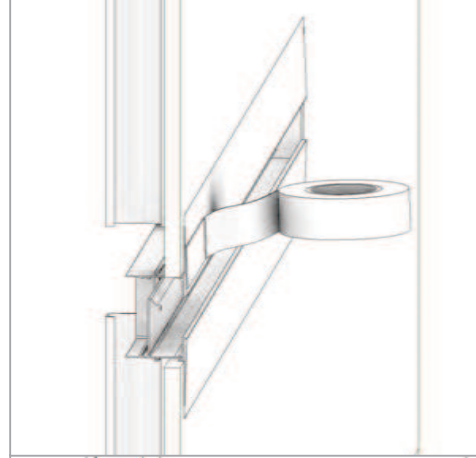
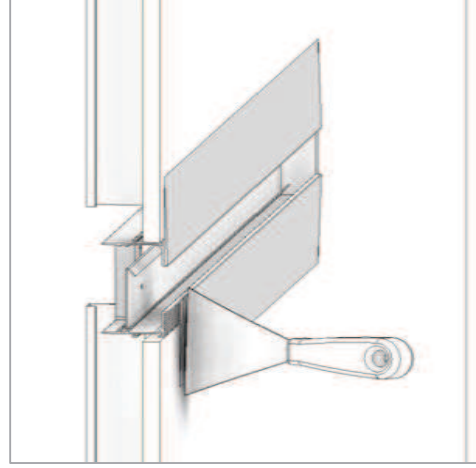
- 2** Introduce the diffuser, in vertical position, through the hole made.

**3**

- 3** Exceed the structure of the false ceiling and rotate the diffuser.
 Support the diffuser on the ceiling.

**4**

- 4** Pull the diffuser down while screwing the diffuser through the support pieces.
 Screw the diffuser to each of the support pieces.

**5**

- 5** Plaster the bonding surface between the diffuser and the plasterboard plates.
 Taping the pasted surface.
 Smooth with final paste the diffuser-ceiling connection.

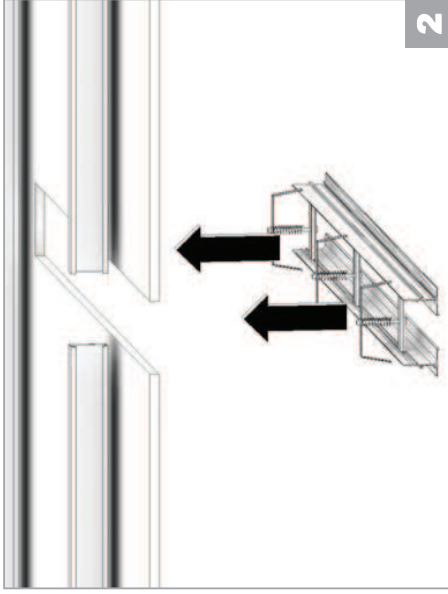


LOOK-CM ... (PM)



1

1 Cut false ceiling* (plasterboard plus structure) with the nominal sizes (A x L) mm
 (*) Reinforce the structure if necessary.



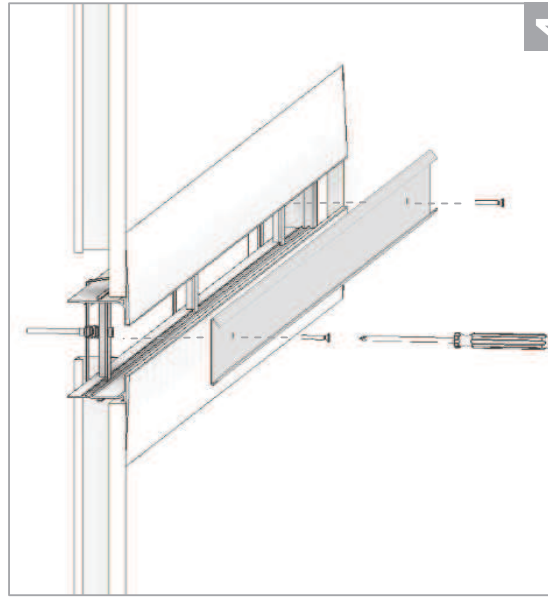
2

2 Insert the diffuser through the hole made until the front frame touches the plates.



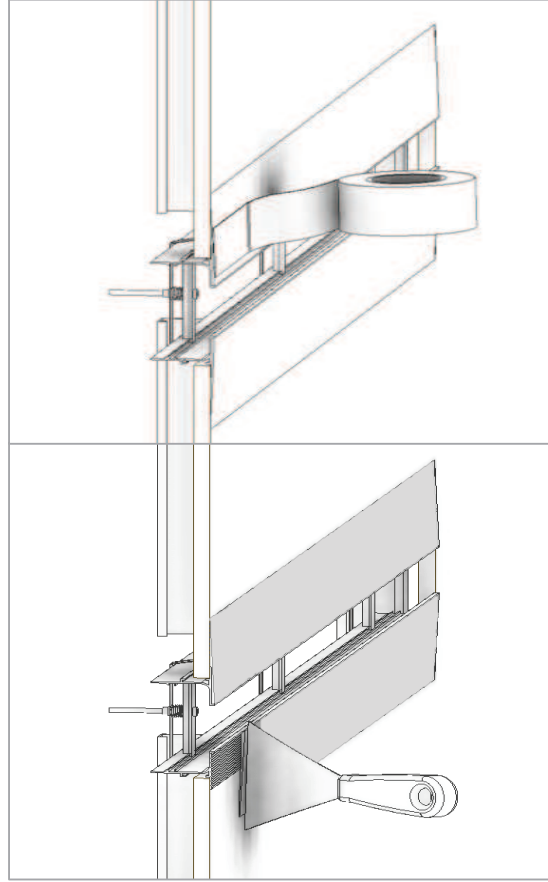
3

3 Screw the crossbars until the diffuser is securely fastened to the ceiling.



4

4 Insert the deflector in the diffuser and screw it to it.

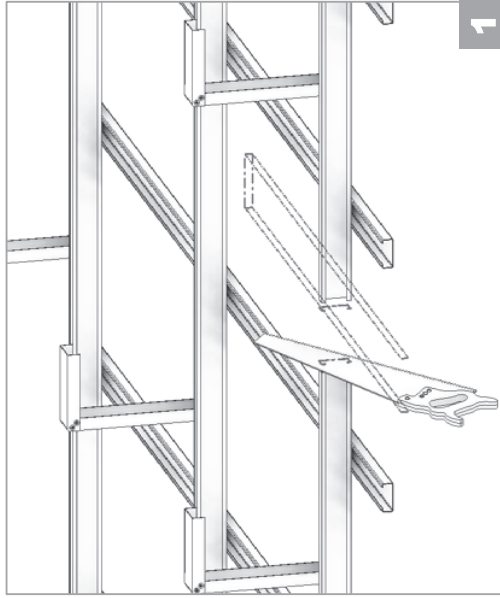


5

5 Plaster the bonding surface between the diffuser and the plasterboard plates.
 Taping the pasted surface.
 Smooth with final paste the diffuser-ceiling connection.



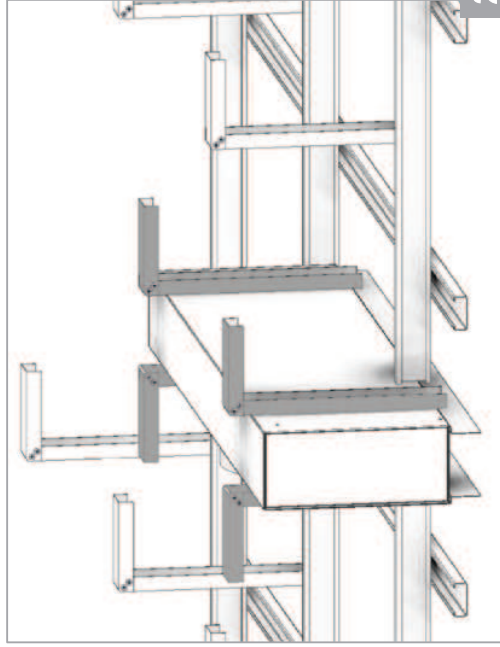
LOOK-CM ... (PM) + PLOK-CM...-R



1

1 Cut the ceiling structure or leave the space to enter the plenum box with the nominal sizes (A x L) mm.

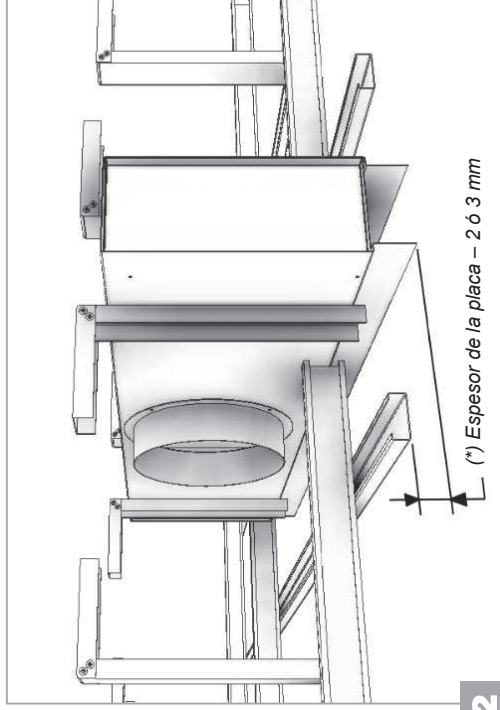
(*) Reinforce the structure if necessary.



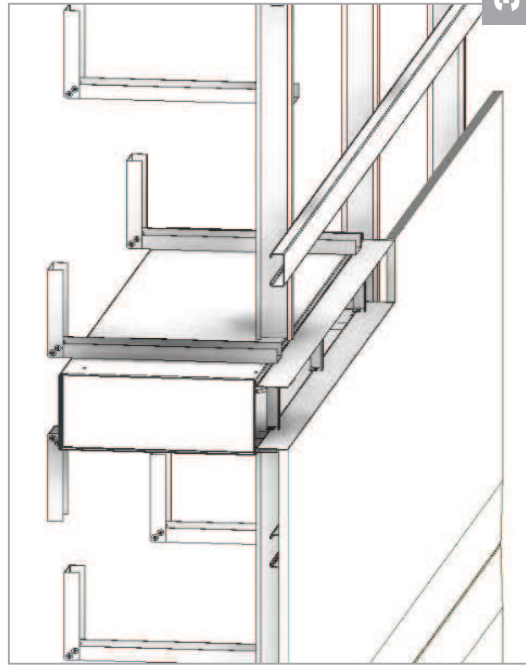
2

2 Fix the plenum box to the slab, using legs, rod or any other type of fixing element that we use to hold the structure of the false ceiling.

(*) The plenum box should be between 2 and 3mm behind the face of the plate.

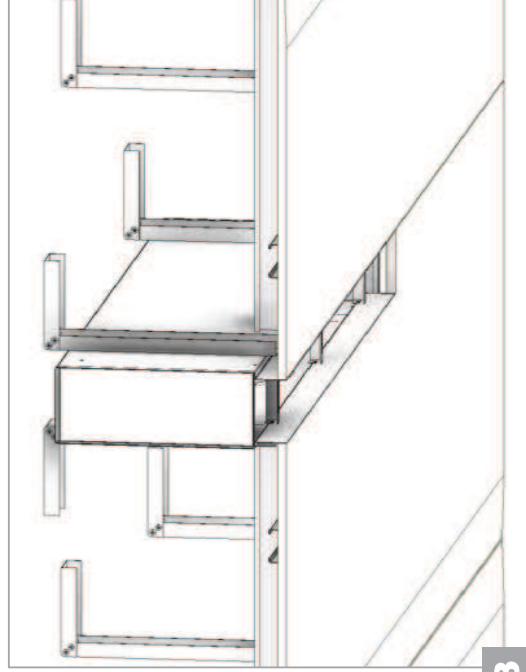


(*) Espesor de la placa - 2 ó 3 mm



3

3 Place the plates of the false ceiling following the rectangular mouth of the plenum box.

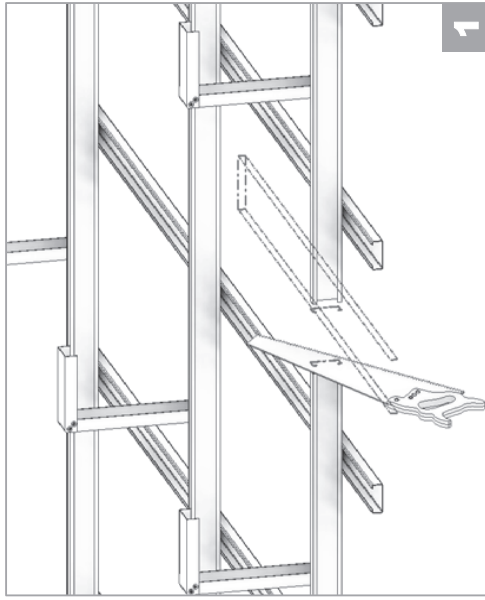


4

4 Assemble the diffuser to the plenum following the same steps as the assembly instructions "LOOK-CM (PM)".

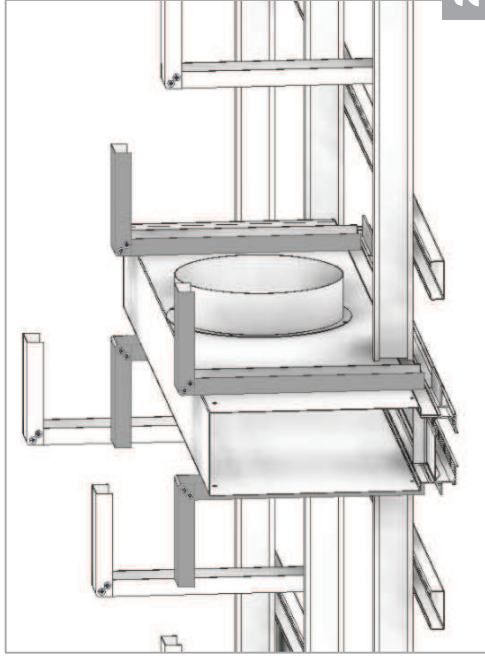


LOOK-SM ... (L) + PLOK-SM...-R



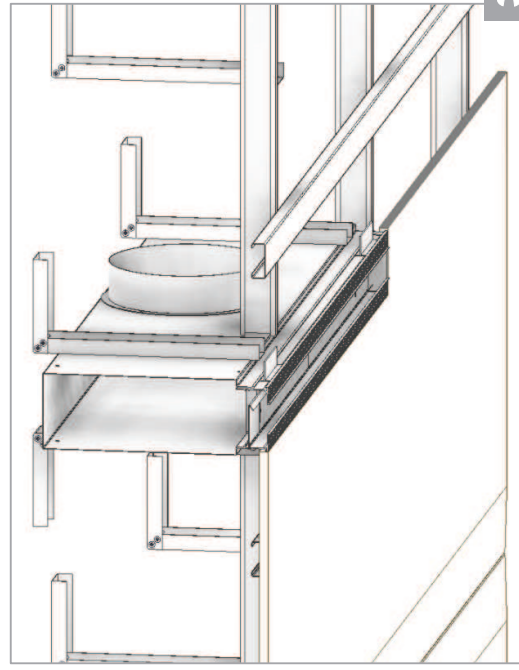
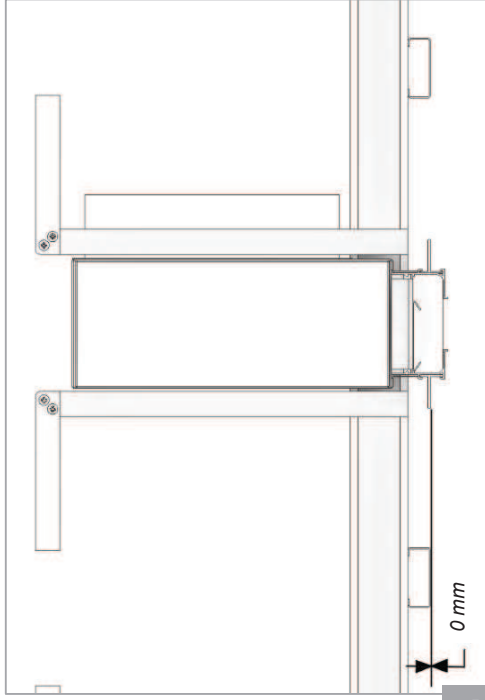
1 Cut the ceiling structure or leave the space to enter the plenum box with the nominal sizes (A x L) mm.

(*) Reinforce the structure if necessary.

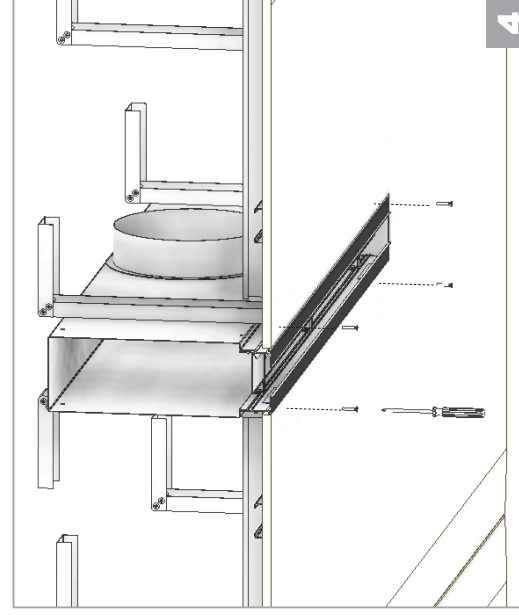
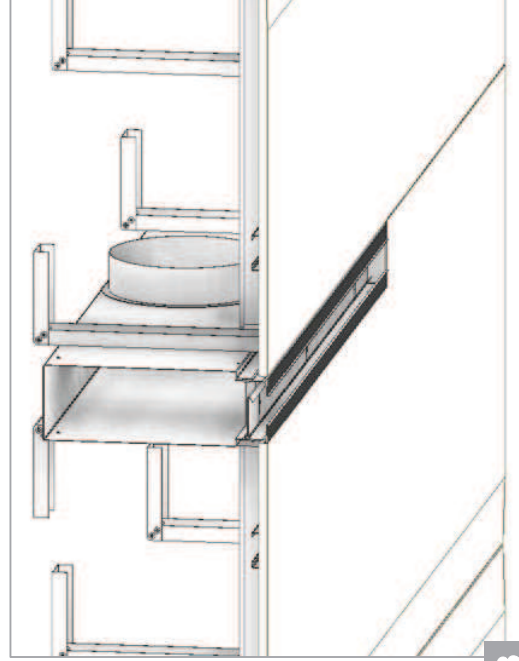


2 Fix the plenum box to the slab, using legs, rod or any other type of fixing element that we use to hold the structure of the false ceiling.

(*) The diffuser support parts must be flush with the top of the plate.



3 Place the plates of the false ceiling following the rectangular mouth of the plenum box.



4 Fix the diffuser to the false ceiling following the same steps as the assembly instructions "LOOK-SM ... (L)", points 4 and 5"